

RTS to 4
17 to 8
18 to 9
USBDP to 1
USBDM to 2

DC Power

Microphone

CW Key

Loudspeaker / Headphones

Stereo Headphone Link

Option socket

TX Led

USB

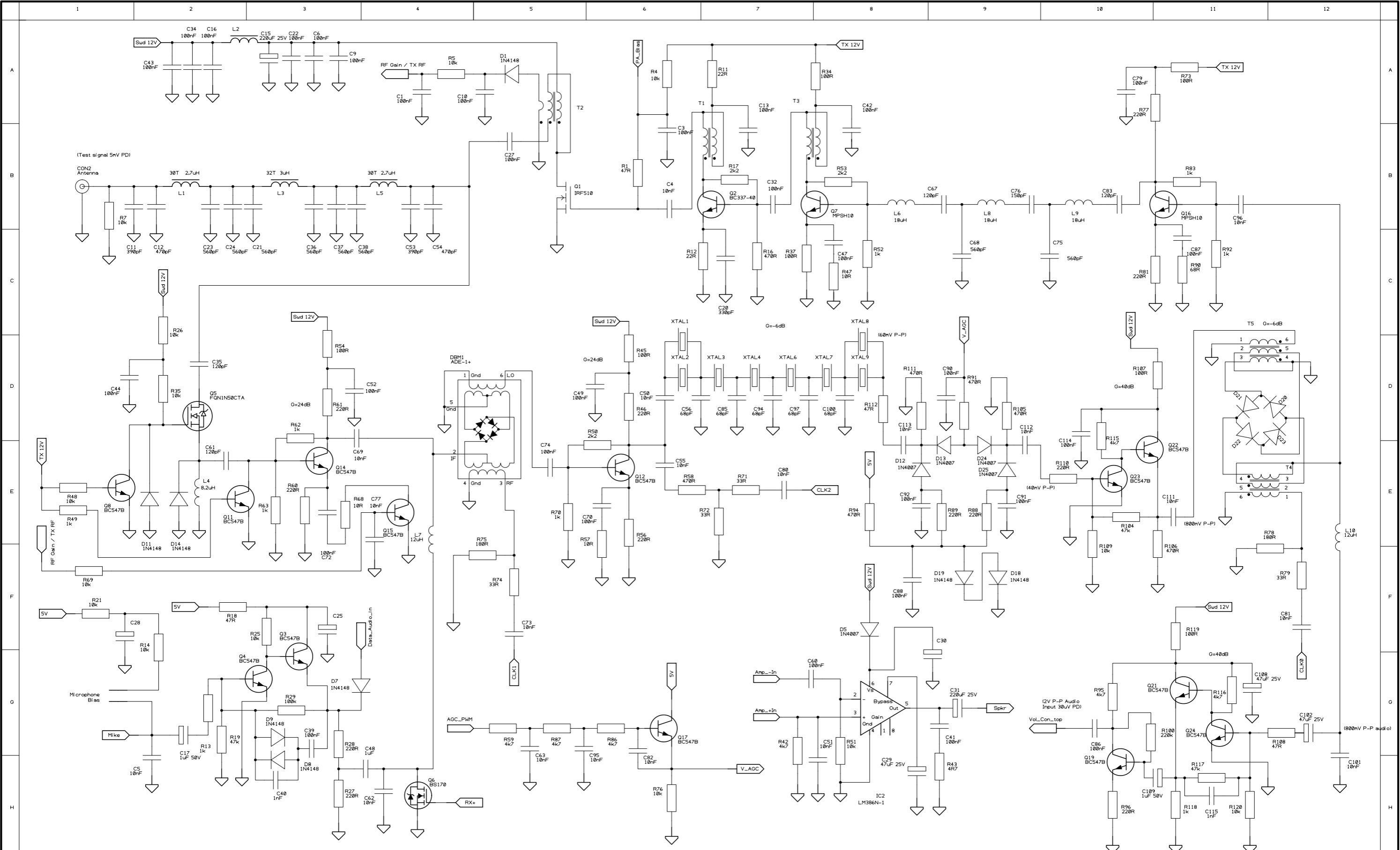
| ISSUE HISTORY | DCP No | DATE | DRAWN | BRIEF DESCRIPTION OF CHANGE DENOTED BY: |
|---------------|--------|------|-------|---|
| | | | | |

| | |
|--|--|
| CHECKED | |
| APPROVED | |
| Document Number: | |
| DO NOT SCALE DRAWING. IF IN DOUBT ASK. | |

| | |
|---------------|--|
| TOLERANCES | |
| GENERAL= ±0.1 | |
| ANGULAR= ±1° | |

| | |
|-----------------------------------|--|
| DIMENSIONS | |
| mm | |
| PAGE TITLE | |
| Page1 | |
| PLOT SCALE | |
| FILE DETAILS | |
| Current Variant or Master Design: | |
| File Path & Name: | |
| Last Saved: 22/10/2023 | |
| Author: | |
| Steve | |

| | |
|-------------------------------|--|
| TITLE | |
| RK Explorer Minor 80M version | |
| DRG. No. | |



| | | | | |
|---------------|---------|------|-------|---|
| ISSUE HISTORY | DCP No. | DATE | DRAWN | BRIEF DESCRIPTION OF CHANGE DENOTED BY: |
| | | | | |

| | |
|--|--|
| CHECKED | |
| APPROVED | |
| DO NOT SCALE DRAWING. IF IN DOUBT ASK. | |

| | |
|---|--|
| Document Number: | |
| TOLERANCES GENERAL= ±0.1 ANGULAR= ±1° | |

| | |
|----------------------|--|
| DIMENSIONS mm | PAGE TITLE Page 2 |
| PLOT SCALE | FILE DETAILS Current Variant or Master Design: File Path & Name: Last Saved: 22/10/2023 |
| ORIGINAL SHT SIZE A3 | Author: Steve |

| | |
|----------------------------------|----------|
| TITLE RK Explorer 80M version | DRG. No. |
| | Page 2 |