

RTS to 4
17 to 8
18 to 9
USBDP to 1
USBDM to 2

DC Power

Microphone

CW Key

Loudspeaker / Headphones

Stereo Headphone Link

Option socket

TX Led

USB

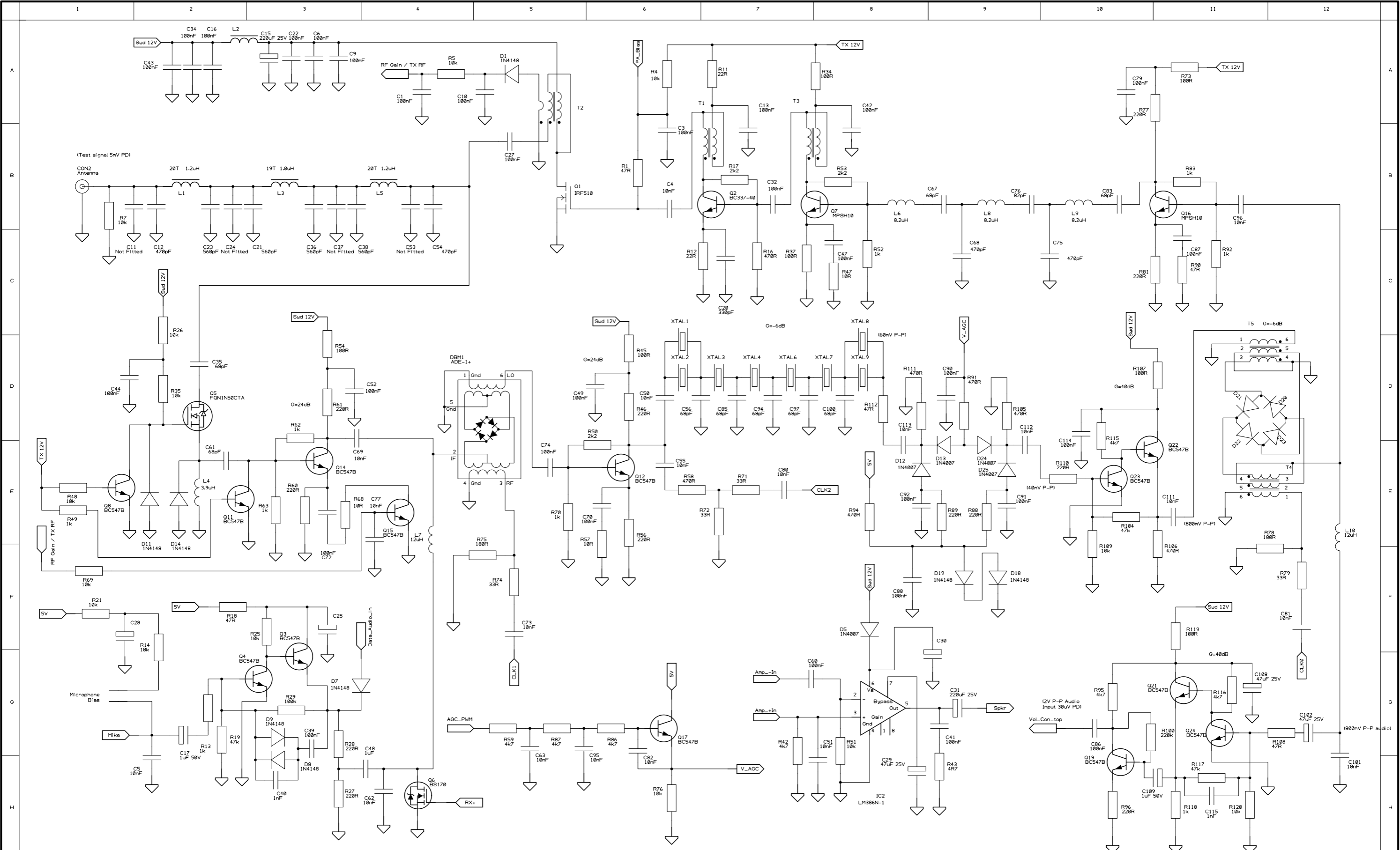
ISSUE HISTORY	DCP No	DATE	DRAWN	BRIEF DESCRIPTION OF CHANGE DENOTED BY:

CHECKED	
APPROVED	
Document Number:	
DO NOT SCALE DRAWING. IF IN DOUBT ASK.	

TOLERANCES GENERAL= ±0.1 ANGULAR= ±1°	
---	--

DIMENSIONS	PAGE TITLE
mm	Page1
PLOT SCALE	FILE DETAILS Current Variant or Master Design: File Path & Name: Last Saved: 22/10/2023
ORIGINAL SHT SIZE A3	Author: Steve

TITLE	DRG. No.
RK Explorer Minor 40M version	



ISSUE HISTORY	DCP No.	DATE	DRAWN	BRIEF DESCRIPTION OF CHANGE DENOTED BY:	

CHECKED	
APPROVED	

Document Number:	
TOLERANCES	GENERAL= ±0.1 ANGULAR= ±1°

DIMENSIONS	mm
PAGE TITLE	Page 2
PLOT SCALE	FILE DETAILS Current Variant or Master Design: File Path & Name: Last Saved: 22/10/2023
ORIGINAL SHT SIZE	A3
Author:	Steve

TITLE	RK Explorer 40M version
DRG. No.	