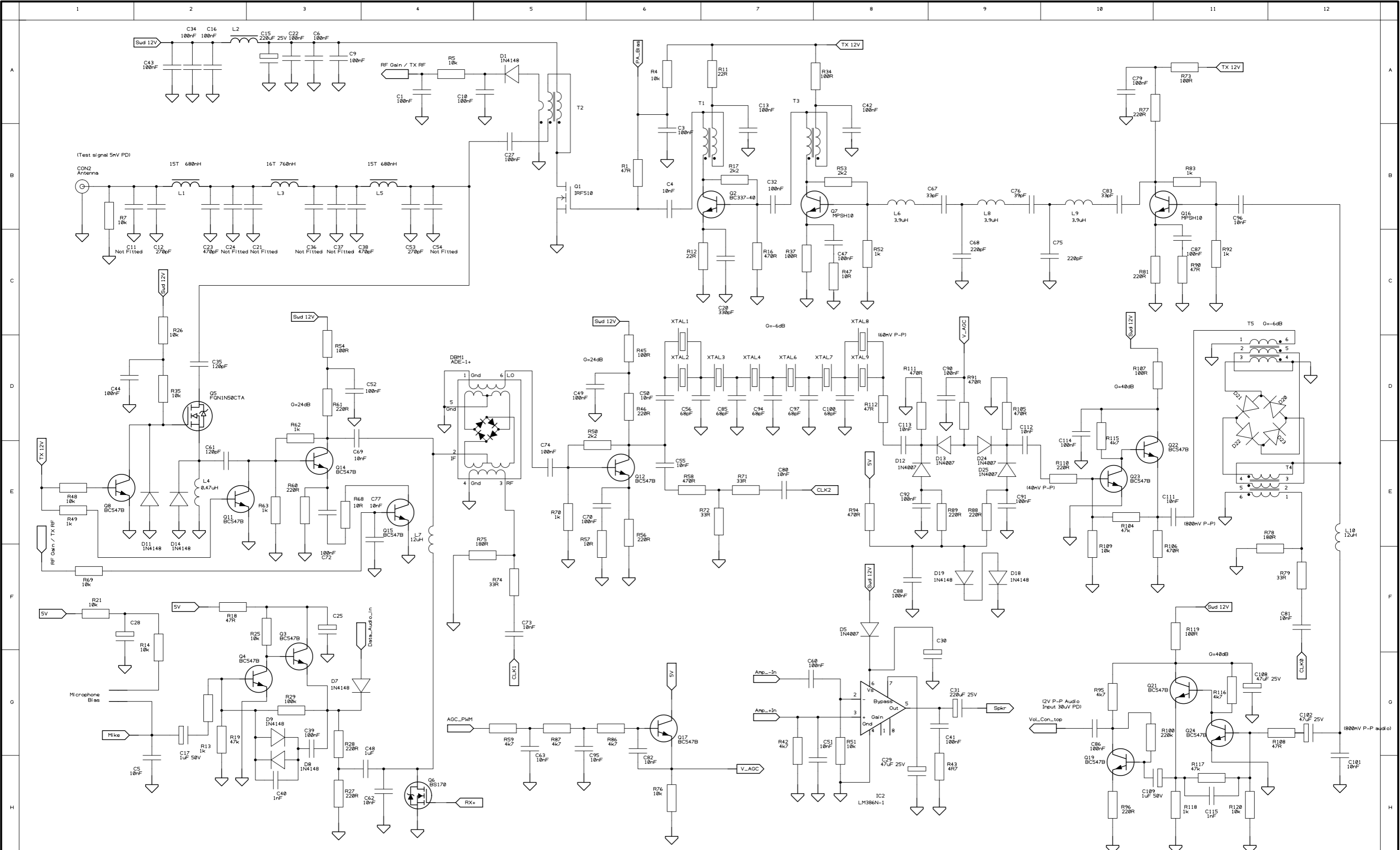


RTS to 4
17 to 8
18 to 9
USBDP to 1
USBDM to 2

				CHECKED	DIMENSIONS		PAGE TITLE	
				APPROVED	mm		Page1	
				Document Number:	PLOT SCALE		FILE DETAILS Current Variant or Master Design: File Path & Name: Last Saved: 22/10/2023	
ISSUE HISTORY				DO NOT SCALE DRAWING. IF IN DOUBT ASK.	TOLERANCES GENERAL= ±0.1 ANGULAR= ±1°		TITLE RK Explorer Minor 20M version	
DCP No	DATE	DRAWN	BRIEF DESCRIPTION OF CHANGE DENOTED BY:	ORIGINAL SHT SIZE A3		Author: Steve		
						DRG. No.		



				CHECKED			DIMENSIONS	PAGE TITLE
				APPROVED			mm	Page 2
						PLOT SCALE	FILE DETAILS	TITLE
						Current Variant or Master Design:		RK Explorer 20M version
						File Path & Name:		
						Last Saved: 22/10/2023		
						Author:		DRG. No.
						Steve		
ISSUE HISTORY	DCP No.	DATE	DRAWN	BRIEF DESCRIPTION OF CHANGE DENOTED BY:		TOLERANCES		
						GENERAL= ±0.1		
						ANGULAR= ±1°		
				DO NOT SCALE DRAWING. IF IN DOUBT ASK.		ORIGINAL SHT SIZE A3		Page 2