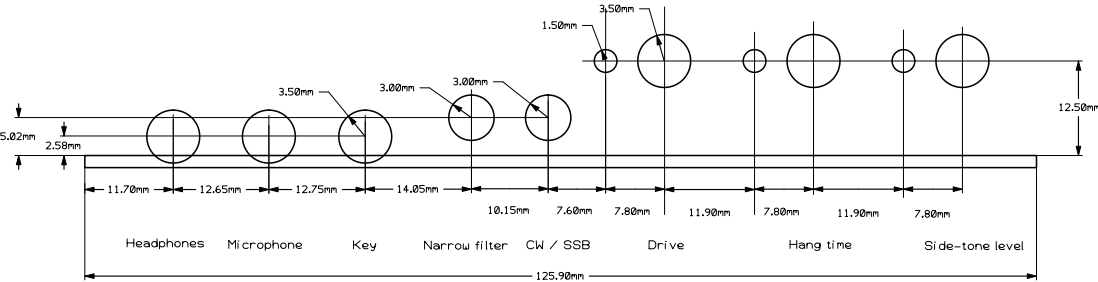


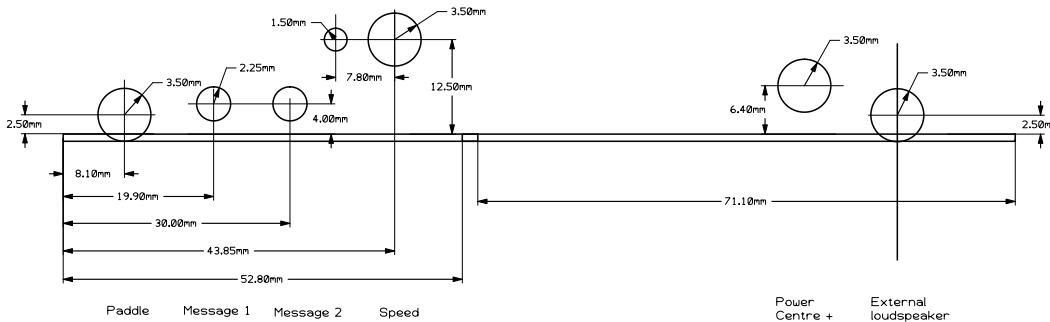
PCB drilling template

Note that PCB will often have keyer and input sections separated



Front control drilling template

Vertical dimensions are referenced to top surface of PCB



Rear panel template

Keyer and input sections will often be separated

Vertical dimensions are referenced to the PCB top surface